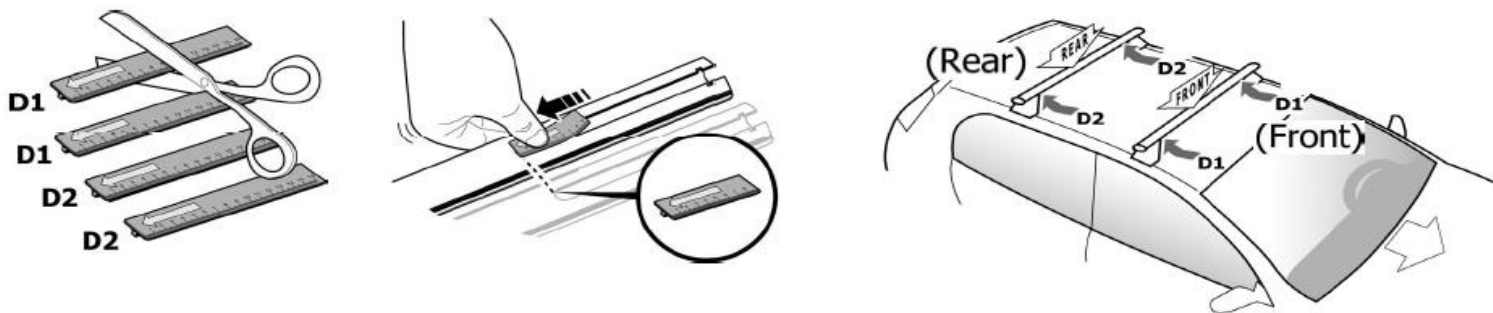
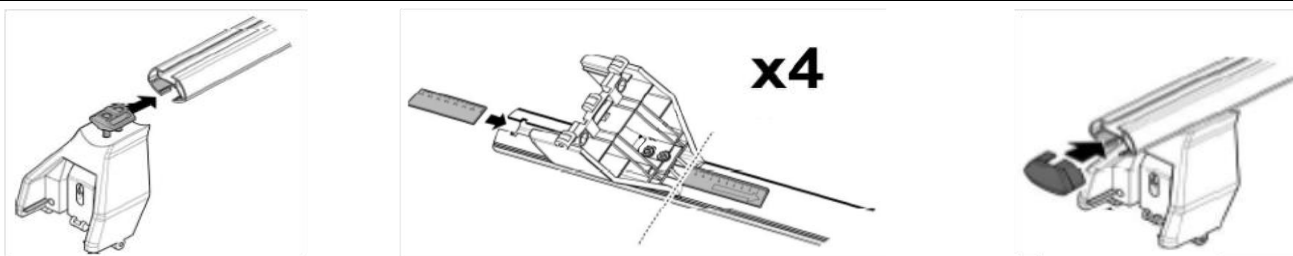


1

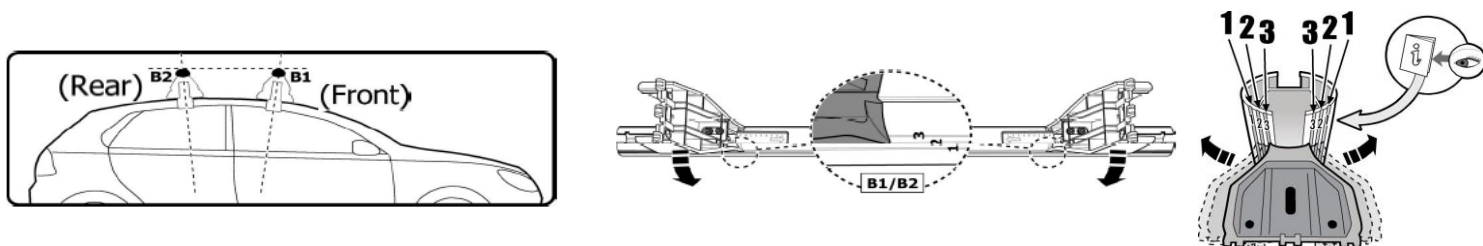


MANUFACTURER	MODEL CAR	DOORS	MODEL YEAR	D1	D2
SMART	Forfour (W453)	5	14>	5,7	2,5

2

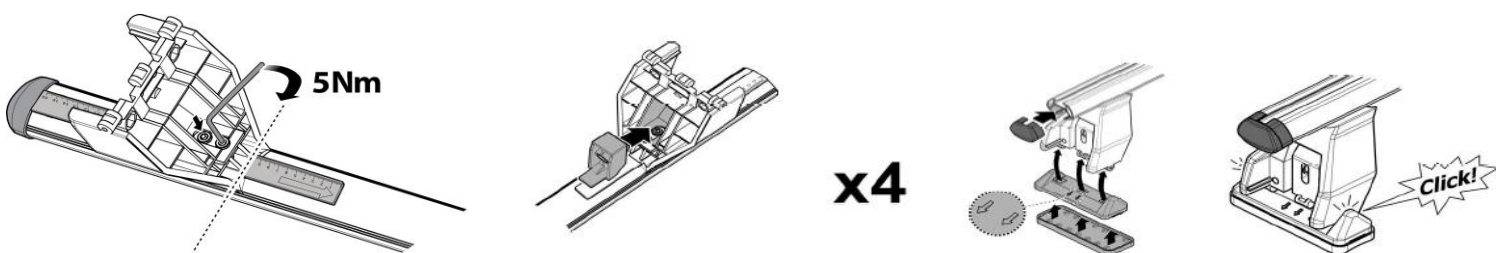


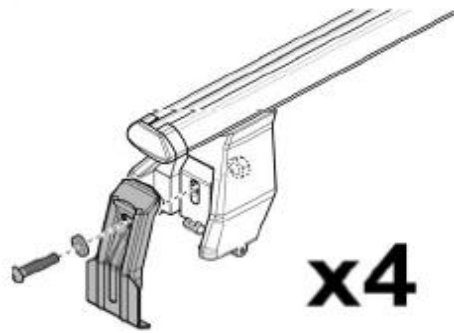
3



MANUFACTURER	MODEL CAR	DOORS	MODEL YEAR	B1	B2
SMART	Forfour (W453)	5	14>	3	3

4

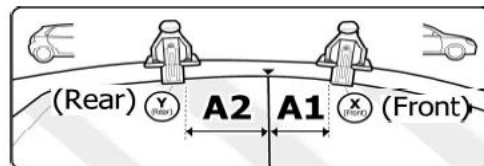
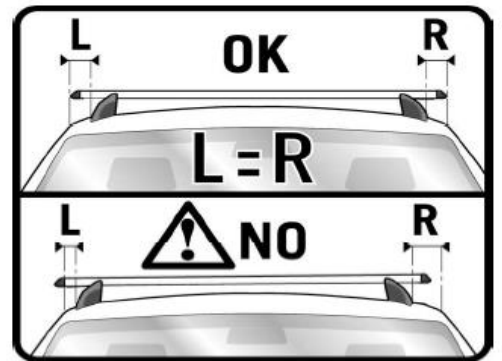
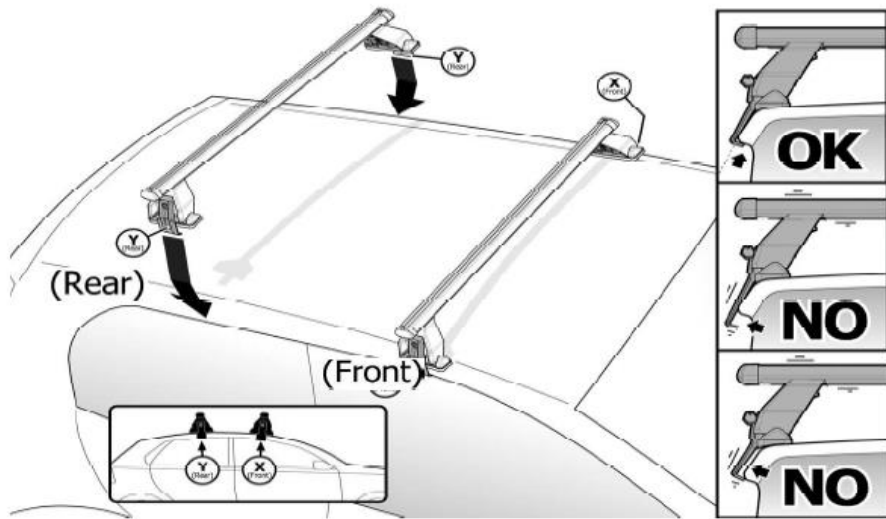




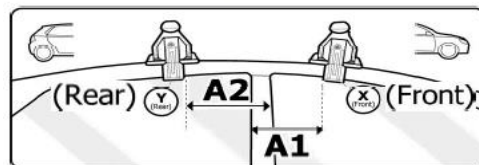
Front	Rear
X	Y



14	21R
2X	2X



OR



MANUFACTURER	MODEL CAR	DOORS	MODEL YEAR	A1	A2
SMART	Forfour (W453)	5	14>	30	46

X = predisposizione originale /original arrangement