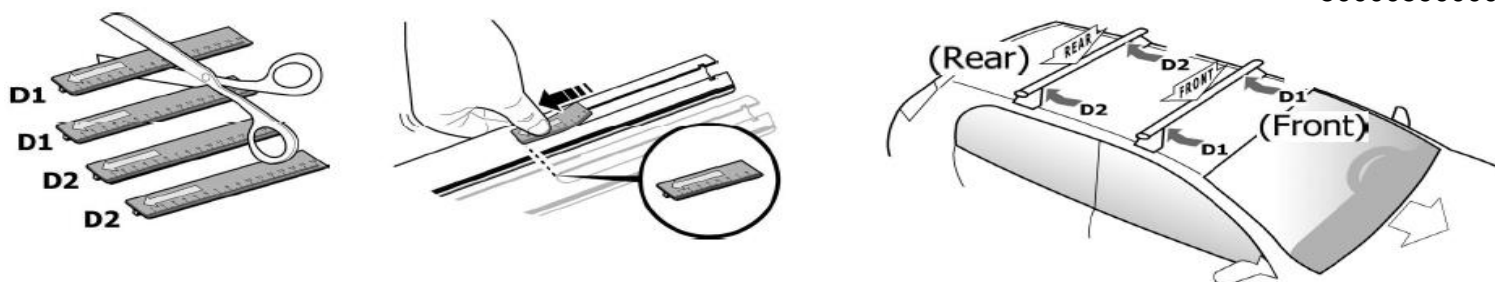
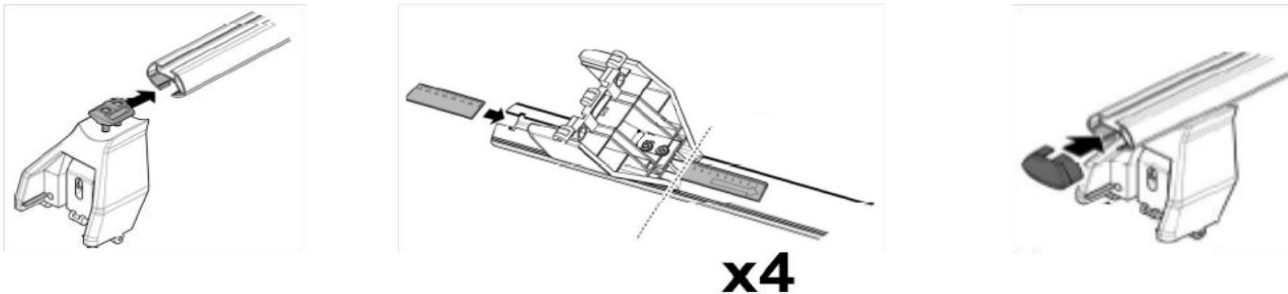


1

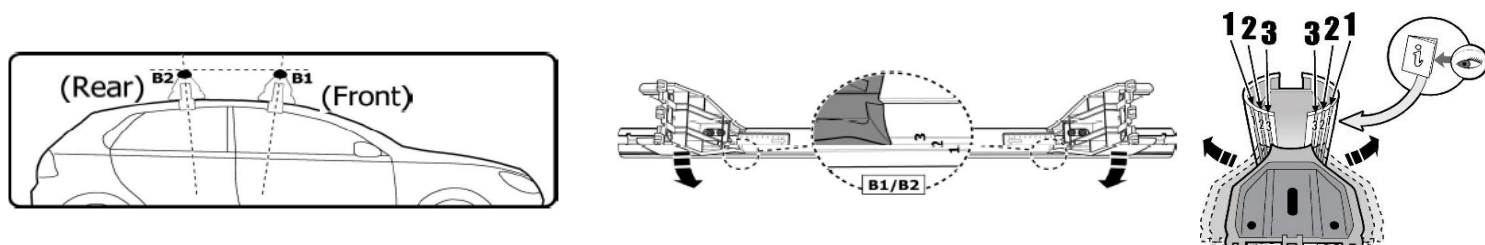


MANUFACTURER	MODEL CAR	DOORS	MODEL YEAR	D1	D2
AUDI	A1 (8XA) Sportback	5	12>18	12,9	12,3
LANCIA	Ypsilon III (Type 846)	5	11>	15,0	14,4
LANCIA	Ypsilon III (Type 846) Hybrid	5	20>	15,0	14,4
RENAULT	Captur	5	13>17	6,5	4,0
RENAULT	Clio IV	5	12>19	15,0	13,2
RENAULT	Clio IV Sporter / Grand Tourer	5	13>19	15,0	13,2
RENAULT	Twingo III	5	14>	6,5	4,2

2

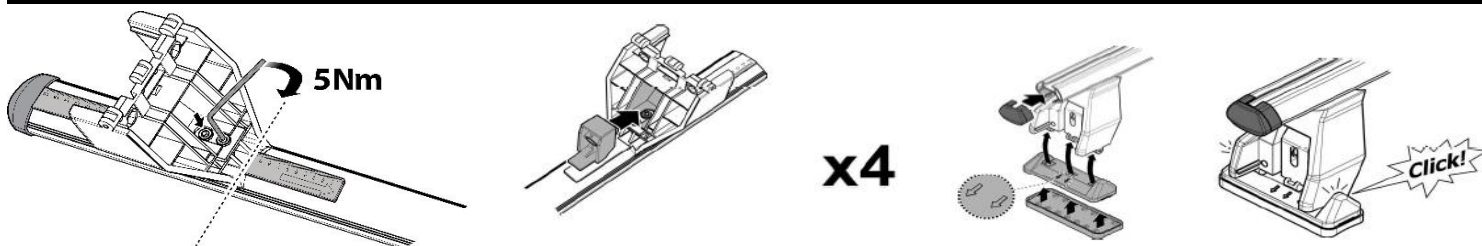


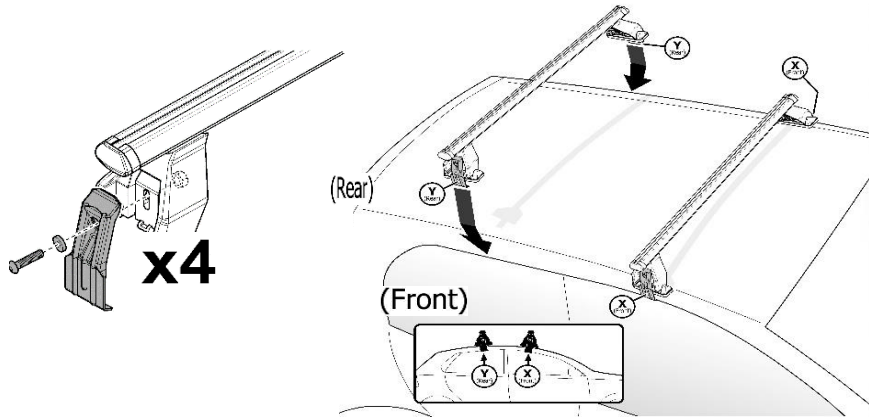
3



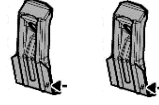
MANUFACTURER	MODEL CAR	DOORS	MODEL YEAR	B1	B2
AUDI	A1 (8XA) Sportback	5	12>18	1	2
LANCIA	Ypsilon III (Type 846)	5	11>	1	3
LANCIA	Ypsilon III (Type 846) Hybrid	5	20>	1	3
RENAULT	Captur	5	13>17	2	2
RENAULT	Clio IV	5	12>19	1	2
RENAULT	Clio IV Sporter / Grand Tourer	5	13>19	1	2
RENAULT	Twingo III	5	14>	2	2

4





Front	Rear
X	Y



51	51R
2X	2X

