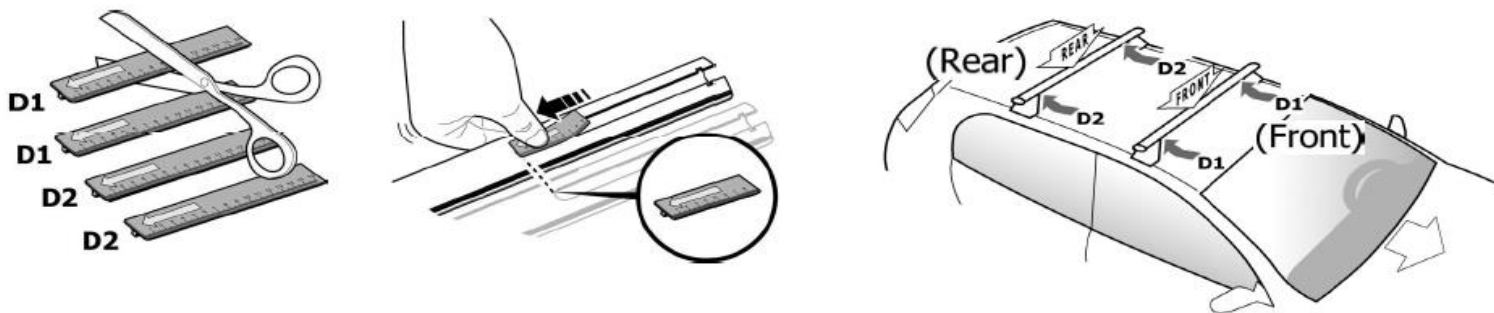
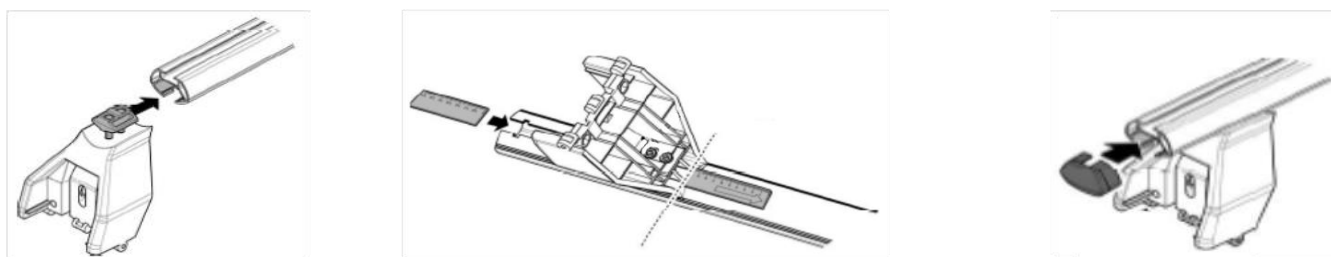


1



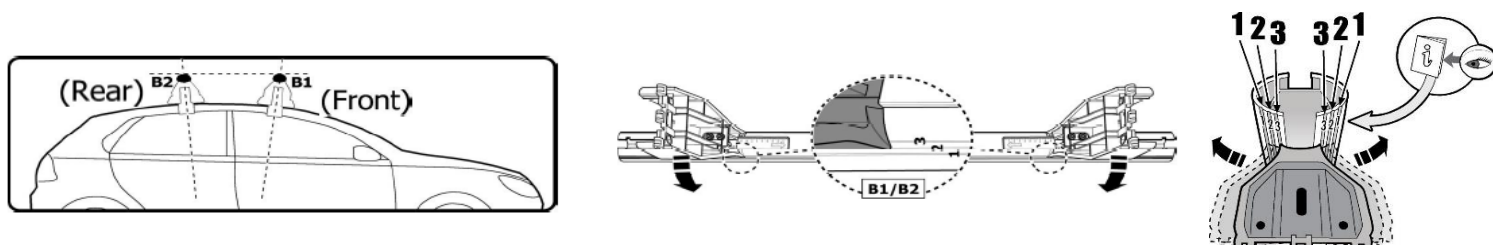
MANUFACTURER	MODEL CAR	DOORS	MODEL YEAR	D1	D2
FORD	<i>Kuga II</i>	5	12>	3,7	10,4
VOLKSWAGEN	<i>Polo V (6R)</i>	3	10>17	13,6	11,8

2



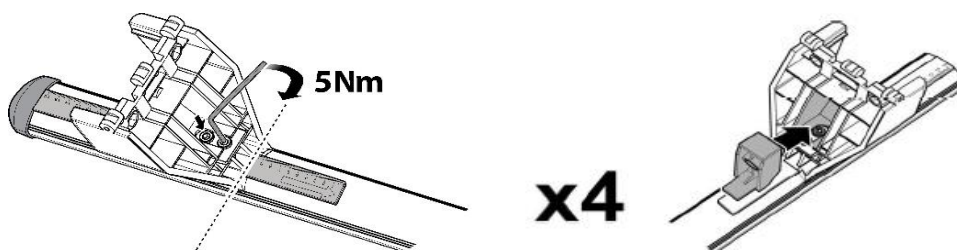
x4

3

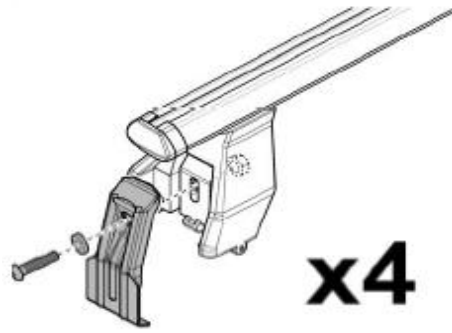


MANUFACTURER	MODEL CAR	DOORS	MODEL YEAR	B1	B2
FORD	<i>Kuga II</i>	5	12>	2	2
VOLKSWAGEN	<i>Polo V (6R)</i>	3	10>17	1	2

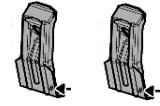
4



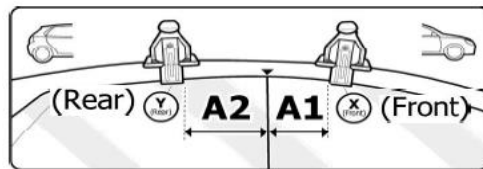
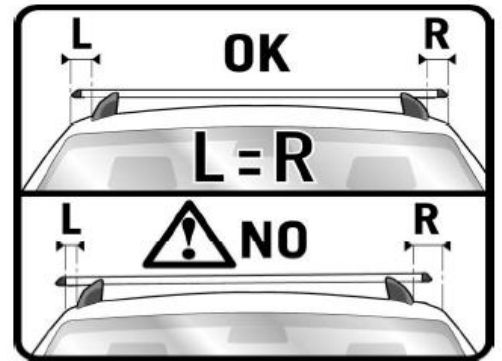
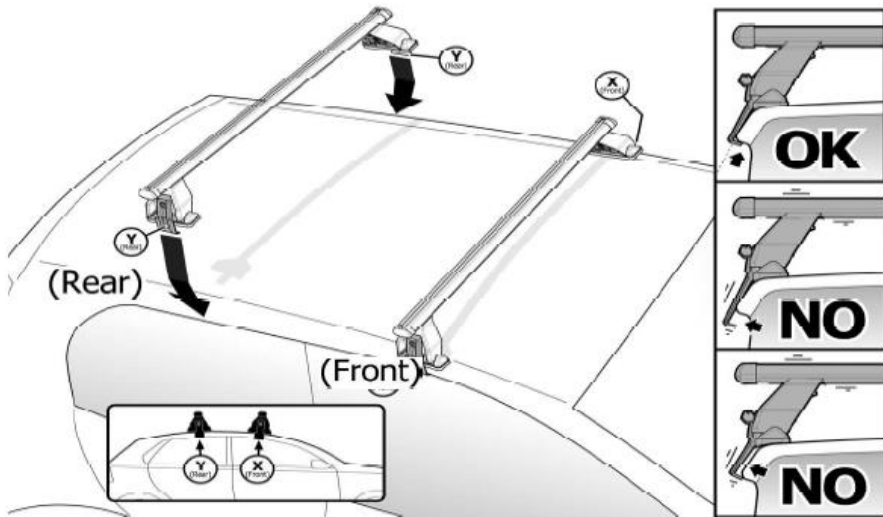
x4



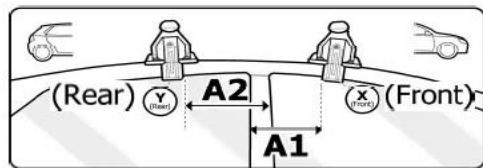
Front	Rear
X	Y



40	13R
x2	x2



OR



MANUFACTURER	MODEL CAR	DOORS	MODEL YEAR	A1	A2	A1	A2
				cm	cm	in	in
FORD	Kuga II	5	12>	15	55	5,9	21,7
VOLKSWAGEN	Polo V (6R)	3	10>17	49	X	19,3	X

X = predisposizione originale /original arrangement